

## M1 TF LED PE IND

Perfil de aluminio con sección de 40,5mm para instalación empotrada en pared de escayola. Compatible solamente con M1 TF LED IP20.

**Acabado superficial:** anodizado, negro o blanco.

**Montaje:** pegar la tira LED en la placa disipadora de aluminio incluida e insertar por la ranura del perfil.

**Fijación:** directa (atornillado o pegado).

**Longitud estándar:** 2000mm.

**Difusor:** opal o transparente. Inserción lateral.

Aluminium profile with 40,5mm section for recessed installation in plasterboard walls. Only compatible with M1 TF LED IP20.

**Surface finish:** anodised, black or white.

**Mounting:** stick the LED strip into the included aluminium heat sink plate and insert trough the profile.

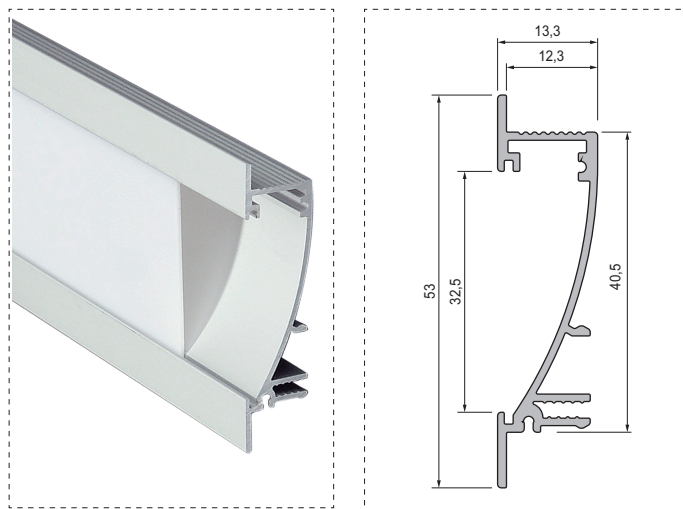
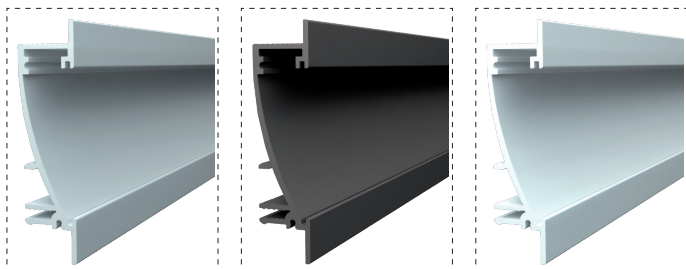
**Fixing:** direct (screwed or stuck).

**Standard length:** 2000mm.

**Diffuser:** opal or clear. Lateral insertion.

### Perfiles Profiles

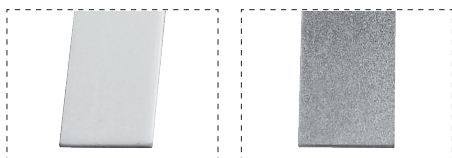
Ref.	L	Color / Colour
M1 TF LED PE IND-1	2m	Anodizado / Anodised
M1 TF LED PE IND-2	2m	Negro / Black
M1 TF LED PE IND-3	2m	Blanco / White



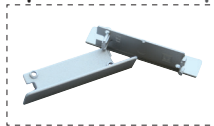
### Difusores Diffusers

Ref.	L	Difusor / Diffuser
M1 TF LED PE IND O	2m	Opal / Opal
M1 TF LED PE IND T	2m	Transparente / Clear

Inserción lateral. Lateral insertion.



### Tapas finales End caps



Ref.	Color / Colour
M1 TF LED PE IND KTP-1	Gris / Grey
M1 TF LED PE IND KTP-2	Negro / Black
M1 TF LED PE IND KTP-3	Blanco / White

### Fijación a techo Ceiling clamp



Ref.	
M1 TF LED PE IND KCM	Tornillos incluidos. Recomendado 2-4 uds/m.  Screws included. Recommended 2-4 pcs/m.

Detalle de montaje del difusor y la tira LED en el perfil.  
Detail of assembly the diffuser and LED strip on profile.

